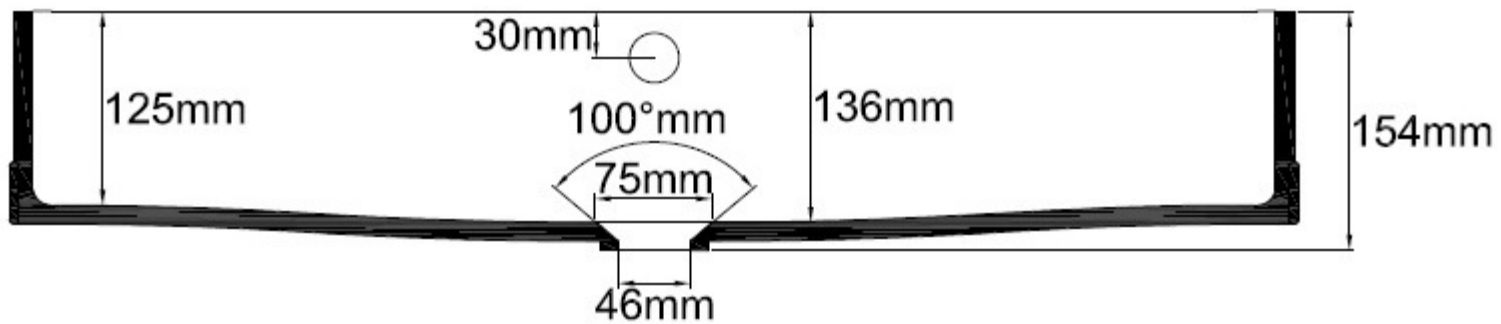


TOP VIEW



Section B - B